

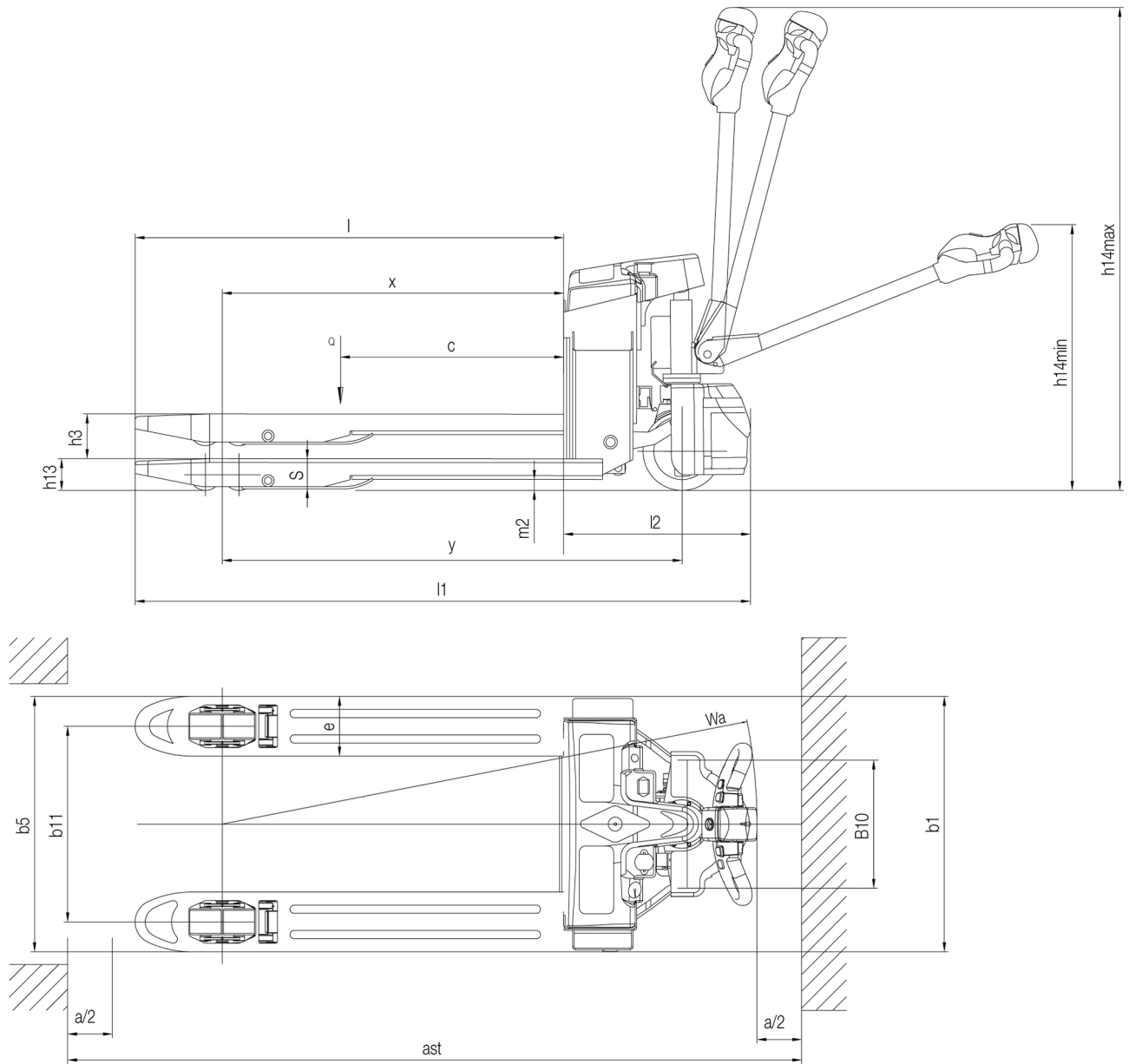
## Technical data



## **CBD 15**

Electric pedestrian pallet truck (1,500 kg)

# CBD 15



# Technical data as per VDI 2198

Stand-on: 06/2020

Kennzeichen	1.2	Manufacturer's type designation		CBD15-170JH	
	1.3	Drive		Electric	
	1.4	Operation		Pedestrian	
	1.5	Load capacity/load	Q kg	1.500	
	1.6	Load centre distance	c mm	600	
	1.8	Load distance, centre of drive axle to fork	x mm	920	
Gewichte	2.1.1	Service weight (incl. battery)	kg	202	
Räder/Fahrwerk	3.1	Tyres		PU	
	3.2	Tyre size, front		Ø 210 x 70	
	3.3	Tyre size, rear		Ø 84 x 70	
	3.4	Additional wheels		Ø 80 x 17	
	3.5	Wheels, number front/back (x=driven)		1x+2/4	
	3.6	Tread width, front	b <sub>10</sub> mm	344	
	3.7	Tread width, rear	b <sub>11</sub> mm	390	525
Grundabmessungen	4.4	Lift (h <sub>3</sub> )	h <sub>3</sub> mm	120	
	4.9	Height of tiller handle in drive position min./max.	mm	850 / 1.300	
	4.15	Height, lowered	h <sub>13</sub> mm	85	
	4.19	Overall length	l <sub>1</sub> mm	1.648	
	4.20	Length including fork shank	l <sub>2</sub> mm	498	
	4.21.1	Overall width	b <sub>1</sub> mm	570	685
	4.21.2	Overall width	b <sub>2</sub> mm	570	685
	4.22	Fork dimensions	s/e/l mm	73 / 160 / 1.150	
	4.25	Width across forks (dimension 1), WaF	b <sub>5</sub> mm	550	685
	4.32	Ground clearance centre of wheelbase	m <sub>2</sub> mm	30	
	4.34	Aisle width (pallet 1000x1200 sideways)	Ast mm	1.844	
	4.34.1	Aisle width (pallet 800x1200 length)	Ast mm	1.894	
	4.35	Turning radius	W <sub>a</sub> mm	1.414	
Leistungsdaten	5.1	Travel speed laden/unladen	km/h	3.5 / 4	
	5.2	Lift speed laden/unladen	m/s	0.03 / 0.03	
	5.3	Lowering speed laden/unladen	m/s	0.03 / 0.03	
	5.8	Max. gradeability laden/unladen	%	5 / 7	
	5.10	Service brake		electromagnetic	
E-Motor/ Elektronik	6.1	Drive motor, performance S2 60 min	kW	0.63	
	6.2	Lift motor, performance with S3	kW	0.8	
	6.4	Battery voltage/nominal capacity	V / Ah	24 / 75	
	6.5	Battery weight	kg	44	
Sonstiges	8.1	Type of drive control		Impulse/DC	

- This data sheet according to VDI guideline 2198 only states the technical values of the standard truck. Different tyres, other masts, additional equipment etc. may result in different values.