

LI-ION
technology



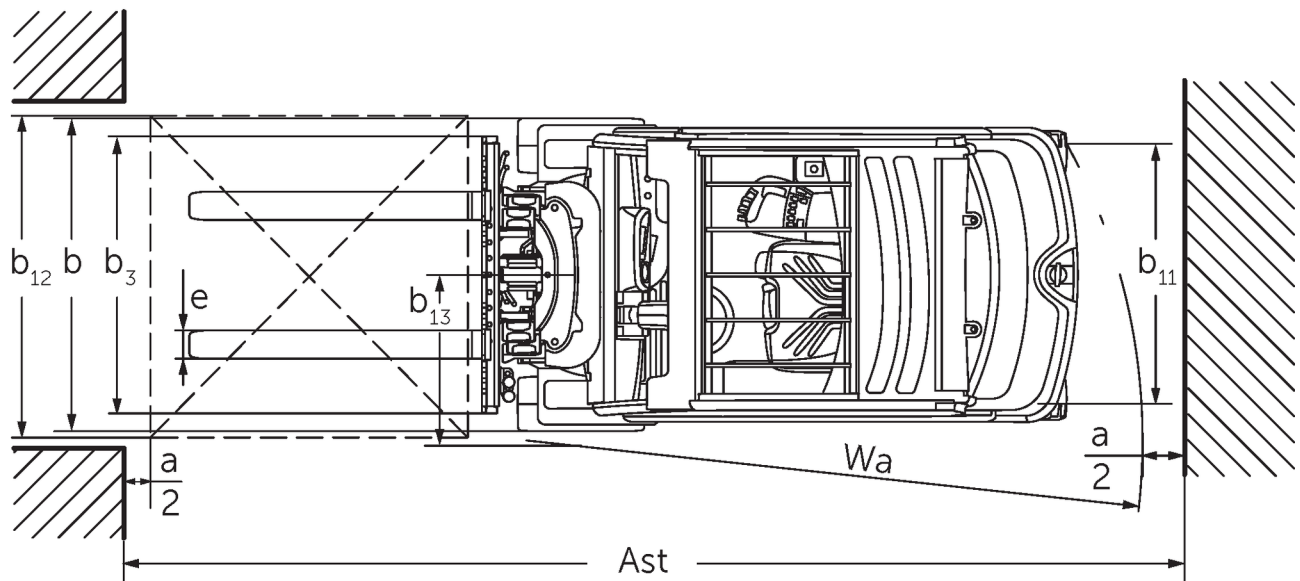
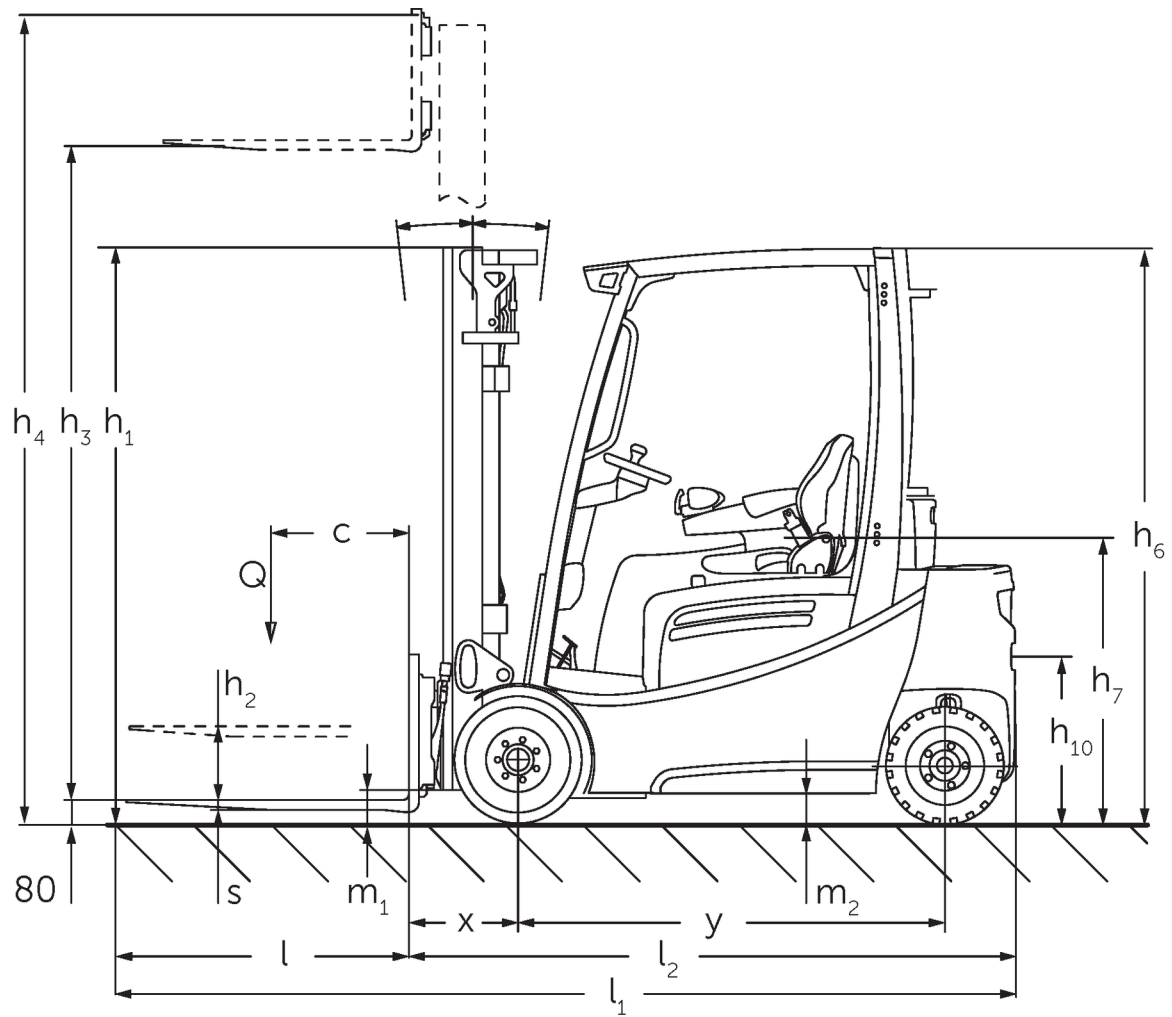
Electric four wheel counterbalance forklift truck

EFG 316-320

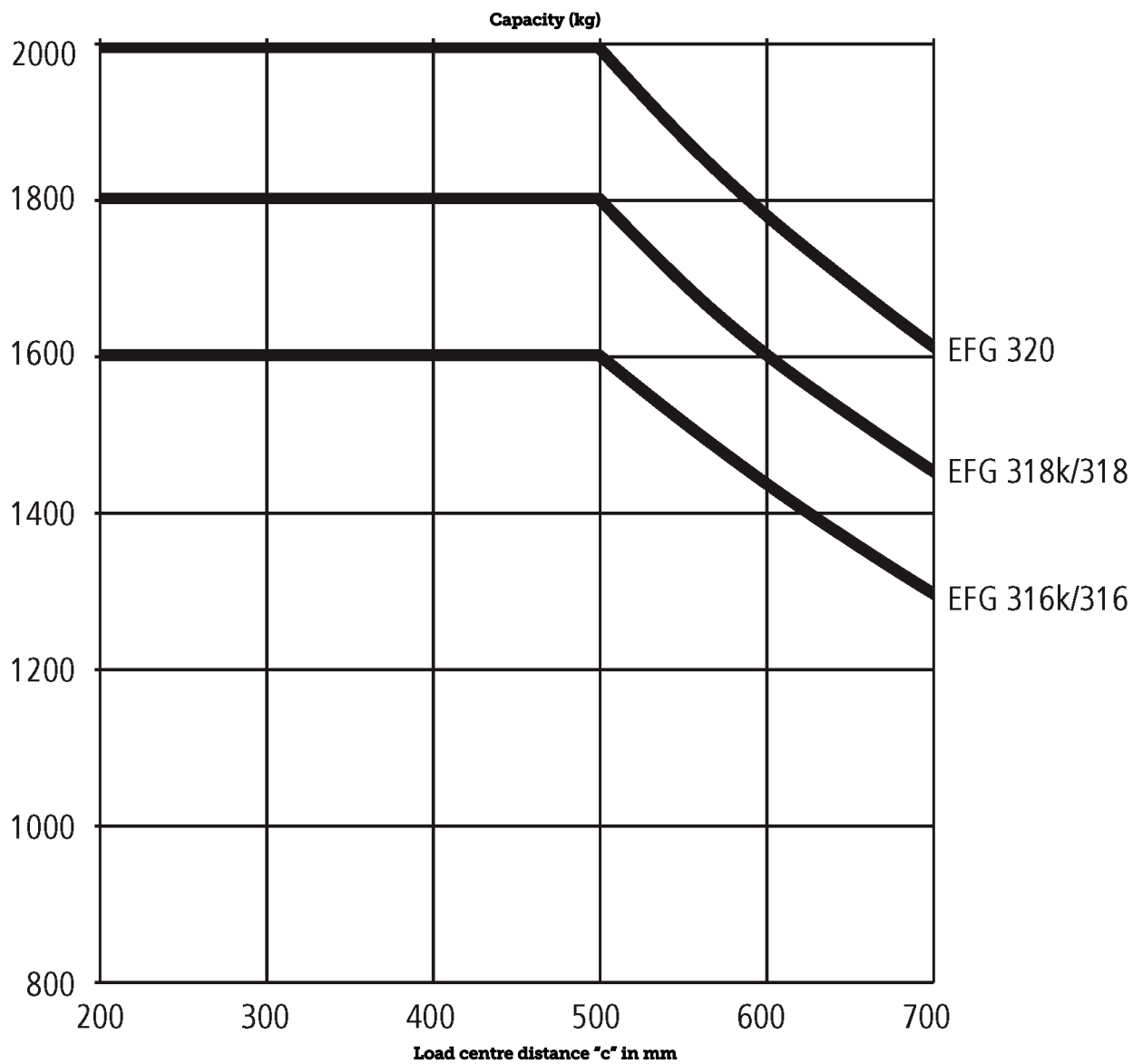
Lift height: 2020-7000 mm / Load capacity: 1600-2000 kg

 JUNGHEINRICH

EFG 316-320



EFG 316-320



EFG 316-320

EFG 316k, EFG 316	Lift (h3)	Retracted mast height (h1)	Free lift (h2)	Extended mast height (h4)	Forward/backward tilt of mast	Forward/backward tilt of fork carriage
Duplex mast ZT	3000 mm	2060 mm	150 mm	3590 mm	7 / 6 °	
	3100 mm	2110 mm	150 mm	3690 mm	7 / 6 °	
	3300 mm	2210 mm	150 mm	3890 mm	7 / 7 °	
	3500 mm	2310 mm	150 mm	4090 mm	7 / 7 °	
	3700 mm	2410 mm	150 mm	4290 mm	7 / 7 °	
	4000 mm	2560 mm	150 mm	4590 mm	7 / 7 °	
	4500 mm	2810 mm	150 mm	5090 mm	7 / 7 °	
Duplex mast ZZ	2900 mm	1965 mm	1375 mm	3490 mm	7 / 6 °	
	3100 mm	2065 mm	1475 mm	3690 mm	7 / 6 °	
	3180 mm	2105 mm	1515 mm	3770 mm	7 / 7 °	
	3300 mm	2165 mm	1575 mm	3890 mm	7 / 7 °	
	3500 mm	2265 mm	1675 mm	4090 mm	7 / 7 °	
	3700 mm	2365 mm	1775 mm	4290 mm	7 / 7 °	
	4000 mm	2515 mm	1925 mm	4590 mm	7 / 7 °	
Triplex mast DZ	4250 mm	1975 mm	1385 mm	4840 mm	7 / 6 °	
	4400 mm	2025 mm	1435 mm	4990 mm	7 / 6 °	
	4640 mm	2105 mm	1515 mm	5230 mm	7 / 5 °	
	4700 mm	2125 mm	1535 mm	5290 mm	7 / 5 °	
	4800 mm	2165 mm	1575 mm	5390 mm	7 / 5 °	
	5000 mm	2235 mm	1645 mm	5590 mm	7 / 5 °	
	5500 mm	2415 mm	1825 mm	6090 mm	7 / 5 °	
	6000 mm	2585 mm	1995 mm	6590 mm	7 / 5 °	
	6500 mm	2765 mm	2175 mm	7090 mm	7 / 5 °	
	7000 mm	2935 mm	2345 mm	7590 mm	7 / 5 °	
EFG 318k, EFG 318, EFG 320	Lift (h3)	Retracted mast height (h1)	Free lift (h2)	Extended mast height (h4)	Forward/backward tilt of mast	Forward/backward tilt of fork carriage
Duplex mast ZT	2020 mm	1577 mm	150 mm	2632 mm	7 / 5 °	7 / 5 °
	3000 mm	2067 mm	150 mm	3612 mm	7 / 6 °	
	3100 mm	2117 mm	150 mm	3712 mm	7 / 6 °	
	3300 mm	2217 mm	150 mm	3912 mm	7 / 7 °	
	3500 mm	2317 mm	150 mm	4112 mm	7 / 7 °	
	3700 mm	2417 mm	150 mm	4312 mm	7 / 7 °	
	4000 mm	2567 mm	150 mm	4612 mm	7 / 7 °	
	4500 mm	2817 mm	150 mm	5112 mm	7 / 7 °	
Duplex mast ZZ	2900 mm	1972 mm	1330 mm	3542 mm	7 / 6 °	
	3100 mm	2072 mm	1430 mm	3742 mm	7 / 6 °	
	3180 mm	2112 mm	1470 mm	3822 mm	7 / 7 °	
	3300 mm	2172 mm	1530 mm	3942 mm	7 / 7 °	
	3500 mm	2272 mm	1630 mm	4142 mm	7 / 7 °	
	3700 mm	2372 mm	1730 mm	4342 mm	7 / 7 °	
	4000 mm	2522 mm	1880 mm	4642 mm	7 / 7 °	
Triplex mast DZ	4250 mm	1982 mm	1340 mm	4892 mm	7 / 6 °	
	4400 mm	2032 mm	1390 mm	5042 mm	7 / 6 °	
	4640 mm	2112 mm	1470 mm	5282 mm	7 / 5 °	
	4700 mm	2132 mm	1490 mm	5342 mm	7 / 5 °	
	4800 mm	2172 mm	1530 mm	5442 mm	7 / 5 °	

5000 mm	2242 mm	1600 mm	5642 mm	7 / 5 °
5500 mm	2422 mm	1780 mm	6142 mm	7 / 5 °
6000 mm	2592 mm	1950 mm	6642 mm	7 / 5 °
6500 mm	2772 mm	2130 mm	7142 mm	7 / 5 °
7000 mm	2942 mm	2300 mm	7642 mm	7 / 5 °

VDI table

Stand-on: 06/2021

Characteristic	1.1	Manufacturer (abbreviated description)	Jungheinrich				
			EFG 316k	EFG 316	EFG 318k	EFG 318	EFG 320
	1.2	Manufacturer's type designation					
	1.3	Drive	Electric				
	1.4	Operation	Seat				
	1.5	Load capacity/load	Q	kg	1600	1800	2000
	1.6	Load centre distance	c	mm	500		
	1.8	Load distance, centre of drive axle to fork	x	mm	344	364	
	1.9	Wheelbase	y	mm	1400	1508	1400 1508
Weights	2.1.1	Service weight (incl. battery)		kg	2994	2965	3159 3130 3290
	2.2	Axle load laden front/rear		kg	3995 / 599	4033 / 532	4413 / 546 4437 / 493 4753 / 537
	2.3	Axle load unladen front/rear		kg	1362 / 1632	1474 / 1491	1399 / 1760 1512 / 1618 1503 / 1787
Wheels/suspension system	3.1	Tyres			SE / SE		
	3.2	Tyre size, front			18 x 7-8	200 / 50-10	
	3.3	Tyre size, rear			16 x 6-8		
	3.5	Wheels, number front/back (x=driven)			2x/2		
	3.6	Tread width, front	b ₁₀	mm	904	914	
	3.7	Tread width, rear	b ₁₁	mm	830		
	Basic dimensions	4.2	Retracted mast height (h1)	h ₁	mm	2060	2067
4.3		Free lift (h2)	h ₂	mm	150		
4.4		Lift (h3)	h ₃	mm	3000		
4.5		Extended mast height (h4)	h ₄	mm	3590	3612	
4.7		Height of overhead guard (cab)	h ₆	mm	2040		
4.8		Seat height/stand height	h ₇	mm	920		
4.12		Coupling height	h ₁₀	mm	410		
4.12.1		2. Coupling height		mm	580		
4.19		Overall length	l ₁	mm	3140	3248	3140 3248
4.20		Length including fork shank	l ₂	mm	1990	2098	1990 2098
4.21.1		Overall width	b ₁	mm	1060	1120	
4.22		Fork dimensions	s/ e/l	mm	40 x 80 x 1150 40 x 100 x 1150		
4.23		Fork carriage connection class			2A		
4.24		Fork carriage width	b ₃	mm	980		
4.31		Ground clearance laden under mast	m ₁	mm	97	105	
4.32		Ground clearance centre of wheelbase	m ₂	mm	100		
4.34		Aisle width (pallet 1000x1200 sideways)	Ast	mm	3403	3526	3403 3526
4.34.1	Aisle width (pallet 800x1200 length)	Ast	mm	3599	3725	3599 3725	
4.35	Turning radius	W _a	mm	1859	1985	1859 1985	
4.36	Smallest pivot point distance	b ₁₃	mm	498	562	498 562	
Performance data	5.1	Travel speed laden/unladen		km/h	17 / 17		
	5.2	Lift speed laden/unladen		m/s	0.51 / 0.74	0.46 / 0.74	0.4 / 0.63
	5.3	Lowering speed laden/unladen		m/s	0.55 / 0.55		
	5.5	Drawbar pull laden/unladen		N	2150 / 2450	2100 / 2450	2000 / 2300
	5.6	Max. drawbar pull laden/unladen		N	13000 / 11900		12500 / 12200 12500 / 12500 12300 / 12000
	5.7	Gradeability laden/unladen		%	7.3 / 12.3	7 / 11.5	6.2 / 10.7 5.9 / 10.5 5.7 / 10.4
	5.8	Max. gradeability laden/unladen		%	27 / 30	27 / 33	25 / 29 25 / 32 24 / 31
	5.9	Acceleration time laden/unladen		s	5.7 / 5.2		5.8 / 5.2 5.9 / 5.5

	5.10	Service brake		electric/mechanical				
E-motor/Electronics	6.1	Drive motor, performance S2 60 min	kW	4.5				
	6.1.1	2. Drive motor, performance S2 60 min	kW	4.5				
	6.2	Lift motor, performance with S3	kW	11.5				
	6.3	Battery according to DIN 43531/35/36		DIN 43531 A				
	6.4	Battery voltage/nominal capacity	V / Ah	48 / 625	48 / 750	48 / 625	48 / 750	
	6.5	Battery weight	kg	855	1025	855	1025	
	6.6.1	Energy consumption according to EN cycle	kWh/h	3.9		4.1		4.5
	6.6.2	CO2 equivalent as per EN 16796	kg/h	2.1		2.2		2.4
	6.7	Throughput	t/h	112		124		138
	6.8.1	Energy consumption with max. throughput	kWh/h	4.9		5.4		5.5
Other	8.1	Type of drive control		Impulse/AC				
	10.1	Operating pressure for attachment	bar	230				
	10.2	Oil flow for attachments	l/min	27				
	10.7	Sound level as per EN12053, operator's ear	dB (A)	67				
	10.8	Trailer coupling, model/type DIN		DIN 15170 H				
<p>- This data sheet according to VDI guideline 2198 only states the technical values of the standard truck. Different tyres, other masts, additional equipment etc. may result in different values.</p>								

The German production facilities in
Norderstedt, Moosburg and Landsberg
are certified.

ISO 9001
ISO 14001

Jungheinrich fork lift trucks meet
European safety requirements.



 **JUNGHEINRICH**

The Jungheinrich logo, featuring a red upward-pointing arrow above the word 'JUNGHEINRICH' in a bold, black, sans-serif font.